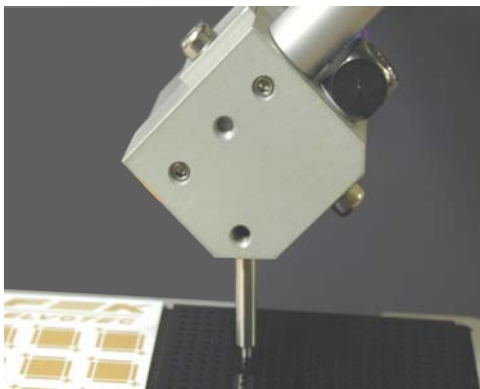


555EU



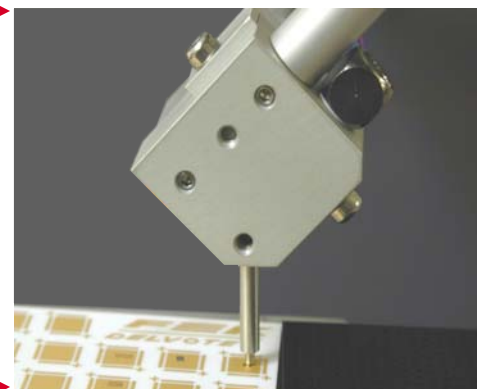
F&K Delvotec's partnership with FMI has established a powerful force within the manual die bonding industry. F&K Delvotec is pleased to be the exclusive worldwide distributor of FMI's manual eutectic die bonder, Model 555EU. This economical, robust and simple to operate machine provides for single collet vacuum pick and place of the preform and die from waffle pack, Gel-Pak or bulk die media. The custom work holder is optional and can be ordered with the machine based on the application. The microscope, work area lighting, programmable temperature controller and forming gas flow meter are standard and will provide easy solutions for R&D and small production requirements. The 555EU offers work sensing pure vertical motion and an 8:1 ratio platform that will provide the operator with a valuable tool for repeatable results.

Manual Eutectic Pick and Place Bonder



PICK

Vacuum Pick and Place
8:1 Manual Scrub Action
Adjustable Forming Gas Flow
Heated Collet



PLACE

555EU

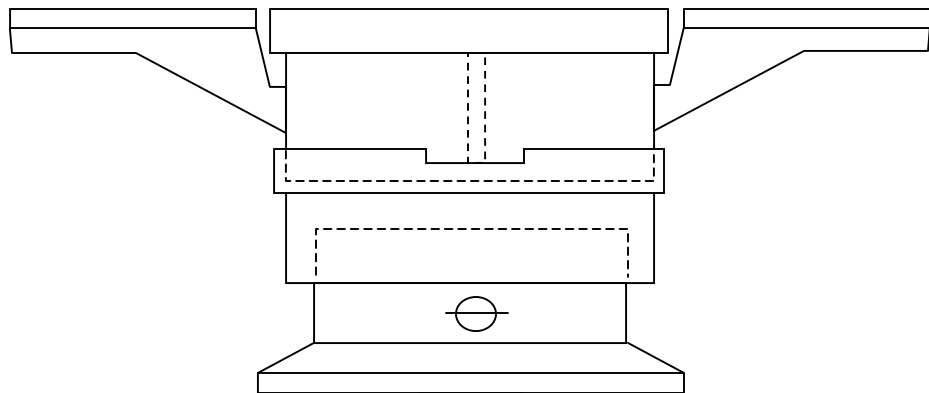
Specifications

| | |
|---|-----------------------|
| 228 mm square | Work platform |
| 25 mm | Z-range |
| Adjustable Flow Meter | Forming Gas Delivery |
| Digital, Programmable | Temperature Control |
| Per request | Pick Up Collet |
| Nikon SMZ 660 | Microscope |
| White L.E.D. | Lighting |
| Adjustable between 8:1 and 4:1 | X/Y Platform Ratio |
| 25 mm square | X/Y Platform Movement |
| 30-150 grams | Gram Force |
| Adjustable Temperature | Heated Collet |
| Programmable logic (PLC) | Controller |
| Electrical, low voltage | Work Surface Sensor |
| 456 mm (H) 430 mm (D) 506 mm (L) | Overall Dimensions |
| CE, ISO 9001, F&K Delvotec Bondtechnik GmbH | Quality Assurance |
| 115 V/ 230 V (with transformer) | Line Requirements |
| Required | Vacuum |

Material Input

| | |
|---|----------------------------------|
| Up to 4" X 4" | Substrate size |
| Flat pack, DIL, DIP, T.O., COB, various | Substrate types |
| 2" X 2", random | Waffle Packs, Gel-Paks, Bulk Die |
| Not Included. Optional and based on application | Heated Workholder, custom |

Custom application specific workholders available upon request.



The 555EU is a product of FMI. Visit them at: www.foothillmachining.com